

WIKI30



WIKI30

A new breakthrough in Vickers Hardness Testing. A Portable one instrument with a test load from 0.1 to 31.2 kgf. Eliminating the need to cut samples and perform tests in the Materials Laboratory, saving time, money and results accuracy.



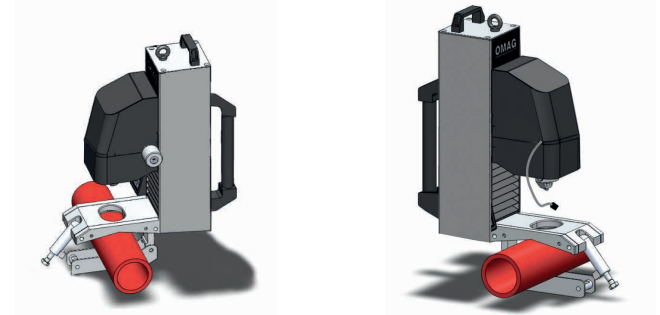
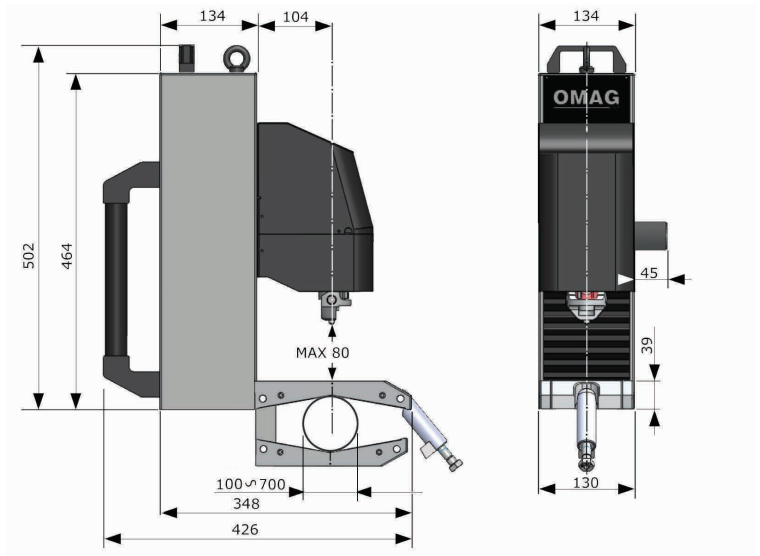
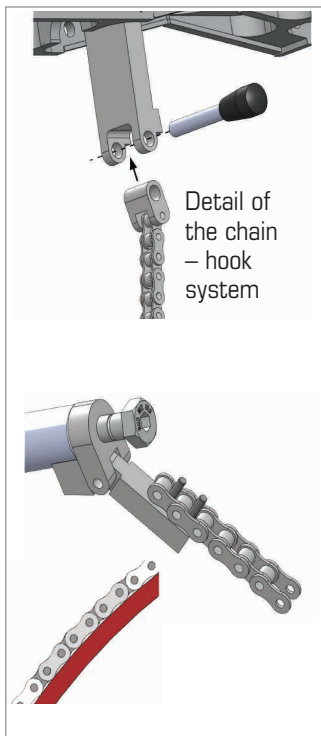
Magnetic camping system (at request)



In order to use WIKI 30 in laboratory a XY table is available for accurate displacement.



Automatic instrument built for Vickers and Brinell hardness testing, simply attach onto tubes with a minimum diameter of 100mm and a maximum diameter of 700mm (by using the hook – chain system). The instrument is portable and designed for being light and durable for harsh environments. The stand's particular shape allows having both a plate supporting surface for testing samples with parallel sides, and a "V" plate for centering tubular samples. Designed for housing a hook-chain system, the instrument allows to anchor it to large dimension tubes, thus giving precise tests under optimal stable conditions. This instrument special quality resides in it's simplicity and user friendliness. Wiki30 is fully automatic; thanks to it's autofocus, once the measuring cycle is started, the instrument will perform the test, analyse the impression and display the hardness value, duly calculated, on the palmtop PC screen supplied with the instrument. The powerful analysis and impression optical recognition software (by Easydur System), allows for user friendly input for changing operational parameters for, both testing and visual in order to allow valuable tests and perfect optical recognitions under any circumstances. The software is equipped with on board statistics, data export and cataloguing of the testing parameters.



TECHNICAL CHARACTERISTICS

Action	Automatic indentation on different height level of the sample. Autofocus, anti-collision system (patent pending)
Accuracy	Better than 0.1 %
Temperature Range	From 10 °C to 35 °C
Data Output	USB / RS 232 C / Ethernet
Power Supply	110 o 220 V / 50-60 Hz
Software	Affri - OMAG
Principle of Operation	Incremental Load Cell Without Inertia No Friction no Vibration
Force Range	Vickers 0.98 - 1.961 - 2.942 - 4.903 - 9.807 - 19.61 - 29.42 - 49.03 - 61.29 - 98.07 - 147.1 - 152.98 - 196.14 - 245.17 - 294.21 N (0.1 - 0.2 - 0.3 - 0.5 - 1 - 2 - 3 - 5 - 6.25 - 10 - 15 - 15.6 - 20 - 25 - 30 kgf)
Feasible Tests	Vickers - Knoop - Brinell
Standards	DIN EN ISO 6506 / DIN EN ISO 6507 / ISO 4545 / ASTM E-92 / ASTM 384 / JIS Z231
Indenter	Vickers
Objectives	100X, 200X, 400X
Camera	860 x 640 Pixels HD CCD B/W
Focus and Reading	Manual focus with auto reading
Lighting	Energy Efficient Cool LED Light Source
Dwell Time	Programmable
Head Stroke	90 mm (motorized)
Depth Capacity	135 mm
Table (automatic or manual)	± 5 mm (X axe)
Fields Of Use	For vickers and micro Vickers portable on site test as well on laboratory automatic test cycle
Packing Weight	60 kg
Packaging Measurements	100 x 100 x 60 cm

OMAG di AFFRI D. S.r.l.
Via M. Tagliaferro, 8
I-21056 INDUNO OLONA - CEE (VA) - ITALY
Tel. +39 0332 200546
Fax +39 0332 203704
info@omagaffri.com

Exclusive distributor:
AFFRI®
Via M. Tagliaferro, 8
I-21056 INDUNO OLONA - CEE - (VA) - ITALY
Tel. +39 0332 201533 +39 0332 206289
Fax +39 0332 203621
info@affri.com - www.affri.com

America:
AFFRI Inc.
111 S. Lombard Rd Unit #4
ADDISON, IL 60101 - USA
Tel. 224 374 0931 - 630 303 1588
sales@affriusa.com
www.affri.com